

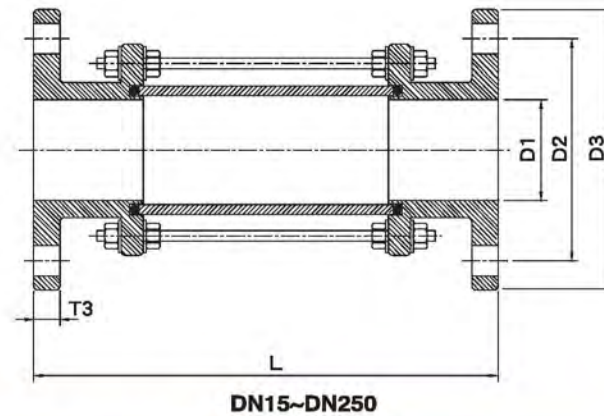


INSPECTION GLASS



EI Series 液面計

EI300
Size: 1/2" - 10"



Materials	UPVC, PP, CPVC, PPG, PVDF
SIZE	1/2", 3/4", 1", 1-1/4", 1-1/2", 2", 2-1/2", 3", 4", 5", 6", 8", 10"
PRESSURE	WORKING: SIZE 1/2"~1" = 5 kg/cm ² , SIZE 1-1/4"~2" = 5 kg/cm ² , SIZE 2-1/2"~10" = 3 kg/cm ²
END CONNECTIONS	Flange ends in JIS 10K DIN; ANSI; BS STANDARD
WORKING TEMP	UPVC: 0°~60°C, PP: -20°C~90°C, PPG: -20°C~100°C, PVDF: -40°C~120°C
FEATURES	Can be mounted horizontally or vertically internal device induces visible turbulence with minimum flow restriction

DIMENSIONS TABLE

Nom Size m/m(Inch)	D1	D2				D3				L	T
		JIS	DIN	ANSI	BS	JIS	DIN	ANSI	BS		
15(1/2")	16	70	65	2.38	2.62	95	95	3.50	3.75	176	12
20(3/4")	20	75	75	2.76	2.88	100	105	3.86	4.00	174	14
25(1")	25	90	85	3.13	3.25	125	115	4.25	4.50	222	16
32(1-1/4")	30	100	100	3.50	3.43	135	140	4.61	4.75	222	18
40(1-1/2")	40	105	110	3.88	3.88	140	150	5.00	5.25	224	18
50(2")	50	120	125	4.74	4.50	155	165	5.98	6.00	218	17
65(2-1/2")	65	140	145	5.89	5.00	175	185	7.00	6.50	240	18
80(3")	80	150	160	6.00	5.75	185	200	7.52	7.25	238	18
100(4")	100	175	180	7.50	7.00	210	220	9.02	8.50	274	20
125(5")	125	210	210	8.50	8.25	250	250	10.00	10.00	375	20
150(6")	150	240	240	9.51	9.25	280	285	10.98	11.00	386	20
200(8")	200	290	295	11.75	11.50	330	340	13.50	13.25	420	25
250(10")	250	355	350	14.25	14.00	400	395	15.98	16.00	445	28

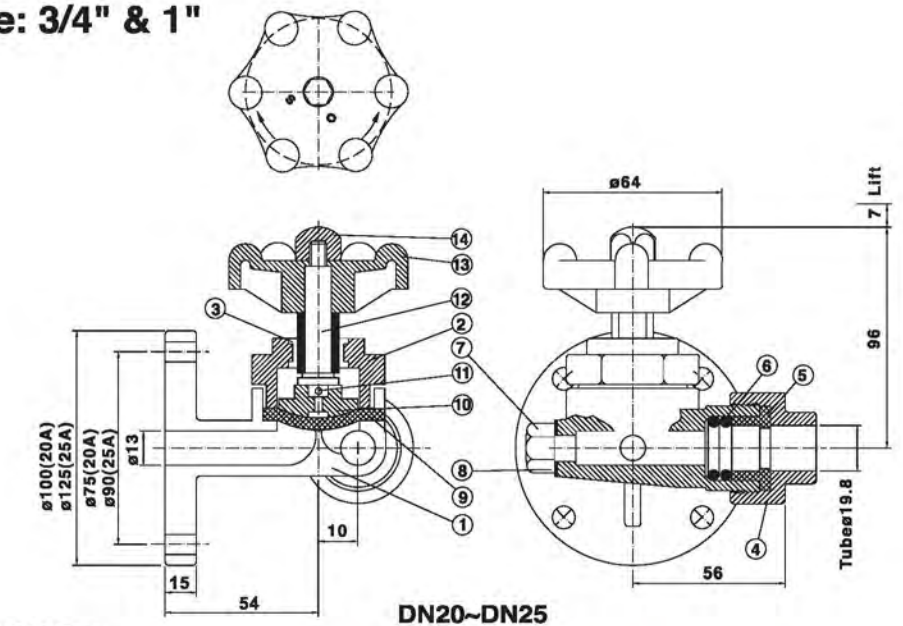


GAUGE VALVE



EG Series 水位計凡而

EG300
Size: 3/4" & 1"



MATERIALS OF CONSTRUCTION

No.	Parts	Pcs.	Materials	No.	Parts	Pcs.	Materials
1	Body	1	UPVC,PP,PPG,PVDF	8	Leaking Hole O'ring	1	EPDM,VITON
2	Bonnet	1	UPVC,PP,PPG,PVDF	9	Diaphragm	1	EPDM,VITON
3	Inserted Metal Of Bonnet	1	BRASS	10	Compressor	1	BRASS
4	Tube Holder	1	UPVC,PP,PPG,PVDF	11	Set Pin	2	SUS304
5	O'ring Holder	1	UPVC,PP,PPG,PVDF	12	Stem	1	BRASS
6	Tube O'ring	2	EPDM,VITON	13	Handle	1	ABS
7	Leaking Hole Holder	1	UPVC,PP,PVDF	14	Handle Holder	1	UPVC

Flange Size	Nominal Size	Outer diameter of tube
20A-3/4"	14 m/m	18 m/m
25A-1"	14 m/m	18 m/m

※ Standard dimensions based on PVC material