



# ELECTRIC ACTUATED BALL VALVE



**CJ Series**

**電動球閥**

**SOCKET CJ100 / THREAD CJ200 / FLANGED CJ300**

**Size: 1/2"-4"**

**FEATURES:**

1. Small HP, big torque, electrical-saving.
2. Light weight, compact, easy to install, long service life.
3. water proof.

**OPTIONS:**

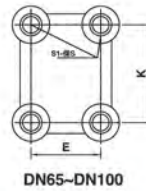
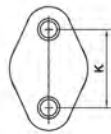
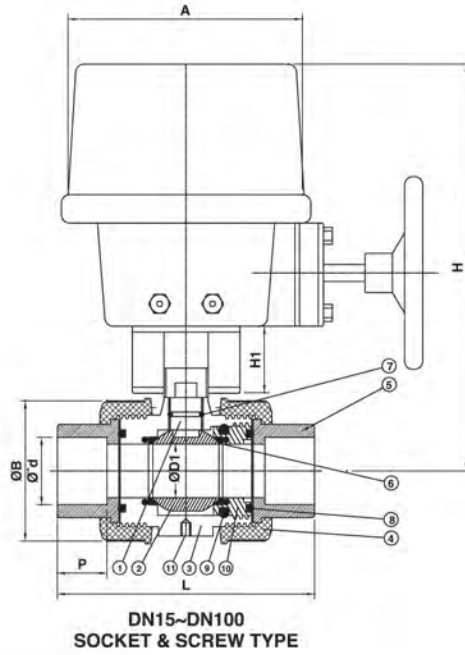
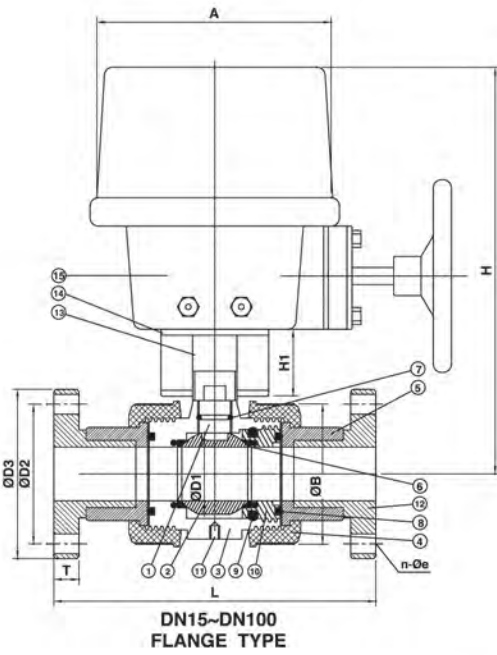
1. AC single-phase 100/220V, 3-phase 220V, 380V, 160V
2. manual operation option.

**MATERIALS OF CONSTRUCTION**

No.	Parts	Pcs	Materials	No.	Parts	Pcs	Materials
1	STEM	1	UPVC, PP, CPVC, PVDF	9	BODY O-RING	2	EPDM, VITON
2	BALL	1	UPVC, PP, CPVC, PVDF	10	SEAT CARRIER	1	UPVC, PP, CPVC, PVDF
3	BODY	1	UPVC, PP, CPVC, PVDF	11	BRASS INSERTS	4...15-50 8...65-100	BRASS
4	UNION NUT	2	UPVC, PP, CPVC, PVDF	12	FLANGE	2	UPVC, PP, CPVC, PVDF
5	END CONNECTOR	2	UPVC, PP, CPVC, PVDF	13	COUPLING	1	SU304
6	SEAT	2	PTFE	14	MOUNTING BRACKET	1	SU304
7	STEM O-RING	1...15-50 2...65-100	EPDM, VITON	15	IP CONTROL ACTUATOR	1	
8	SEAT CARRIER O-RING	1	EPDM, VITON				

**DIMENSIONS TABLE**

Nominal Pipe Size	JIS																	Unit: mm			
	D1	D2	D3	d			e	n	p	L			H	H1	A	T	K	E	S	S1	Working press (kg/cm <sup>2</sup> )
				Socket	Thread					Socket	Thread	Flange									
15(1/2")	15	70	95	22	PT1/2"	15	4	22.2	115	115	152	203	42	106	15	31			3/16"-24G	4	10
20(3/4")	19	75	100	26	PT3/4"	15	4	25.4	128	128	163	206	42	106	15	37			1/4"-20G	4	10
25(1")	25	90	125	32	PT 1"	19	4	28.6	144	144	187	213	42	106	17	40			1/4"-20G	4	10
32(1-1/4")	38	100	135	38	PT 1-1/4"	19	4	31.8	183	183	225	227	42	106	17	55			5/16"-18G	4	10
40(1-1/2")	38	105	140	48	PT 1-1/2"	19	4	34.9	183	183	232	237	42	106	19	55			5/16"-18G	4	10
50(2")	48	120	155	60	PT 2"	19	4	38.1	202	202	253	349	60	190	21	68			5/16"-18G	4	10
65(2-1/2")	65	140	175	76	PT 2-1/2"	19	4	44.5	228	228	282	359	60	190	21	80	41		5/16"-18G	8	7
80(3")	78	150	185	89	PT 3"	19	8	47.6	270	270	327	373	60	190	22	80	41		5/16"-18G	8	7
100(4")	102	175	210	114	PT 4"	19	8	57.2	324	324	385	388	76	230	22	121	50		5/16"-18G	8	7



END VIEW

**DIMENSIONS TABLE**

ANSI																			Unit: inch	
Nominal Pipe Size	D1	D2	D3	d		e	n	p	L			H	H1	A	T	K	E	S	S1	Working press (lb/in <sup>2</sup> )
				Socket	Thread				Socket	Thread	Flange									
15(1/2")	0.59	2.375	3.500	0.848	NPT1/2"	0.625	4	0.875	4.527	4.527	5.984	7.99	1.65	4.17	0.59	1.22	3/16"-24G	4	148	
20(3/4")	0.748	2.750	3.875	1.058	NPT3/4"	0.625	4	1.000	5.039	5.039	6.417	8.11	1.65	4.17	0.59	1.45	1/4"-20G	4	148	
25(1")	0.98	3.125	4.250	1.325	NPT 1"	0.625	4	1.125	5.669	5.669	7.36	8.39	1.65	4.17	0.66	1.57	1/4"-20G	4	148	
32(1-1/4")	1.496	3.500	4.625	1.670	NPT1-1/4"	0.625	4	1.250	7.204	7.204	8.858	8.94	1.65	4.17	0.66	2.16	5/16"-18G	4	148	
40(1-1/2")	1.496	3.875	5.000	1.912	NPT1-1/2"	0.625	4	1.375	7.204	7.204	9.133	9.33	1.65	4.17	0.75	2.16	5/16"-18G	4	100	
50(2")	1.89	4.750	6.000	2.387	NPT 2"	0.750	4	1.500	7.952	7.952	9.960	13.74	2.36	7.48	0.83	3.15	5/16"-18G	4	100	
65(2-1/2")	2.56	5.500	7.000	2.889	NPT2-1/2"	0.750	4	1.750	8.976	8.976	11.102	14.13	2.36	7.48	0.83	3.15	1.61	5/16"-18G	8	100
80(3")	3.07	6.000	7.500	3.515	NPT 3"	0.750	4	1.875	10.629	10.629	12.992	14.68	2.36	7.48	0.866	3.29	1.61	5/16"-18G	8	100
100(4")	4.01	7.500	9.000	4.518	NPT 4"	0.750	8	2.250	12.755	12.755	15.157	15.28	2.99	9.06	0.866	4.76	1.97	5/16"-18G	8	100

DIN																			Unit: mm	
Nominal Pipe Size	D1	D2	D3	d		e	n	p	L			H	H1	A	T	K	E	S	S1	Working press (kgf/cm <sup>2</sup> )
				Socket	Thread				Socket	Thread	Flange									
15(1/2")	15	65	95	20	R1/2"	14	4	16.0	115	115	152	203	42	106	15	31	3/16"-24G	4	10	
20(3/4")	19	75	105	25	R3/4"	14	4	18.5	128	128	163	203	42	106	15	37	1/4"-20G	4	10	
25(1")	25	85	115	32	R 1"	14	4	22.0	144	144	187	218	42	106	17	40	1/4"-20G	4	10	
32(1-1/4")	38	100	140	40	R1-1/4"	18	4	26.0	183	183	225	225	42	106	17	55	5/16"-18G	4	10	
40(1-1/2")	38	110	150	50	R1-1/2"	18	4	31.0	183	183	232	230	42	106	19	55	5/16"-18G	4	10	
50(2")	48	120	165	63	R 2"	18	4	37.5	202	202	253	343	60	190	20	68	5/16"-18G	4	10	
65(2-1/2")	65	145	185	75	R2-1/2"	18	4	43.5	228	228	282	353	60	190	20	80	41	5/16"-18G	8	7
80(3")	78	160	200	90	R 3"	18	8	51.0	270	270	327	366	60	190	22	80	41	5/16"-18G	8	7
100(4")	102	180	220	110	R 4"	18	8	61.0	324	324	385	383	76	230	22	121	50	5/16"-18G	8	7