



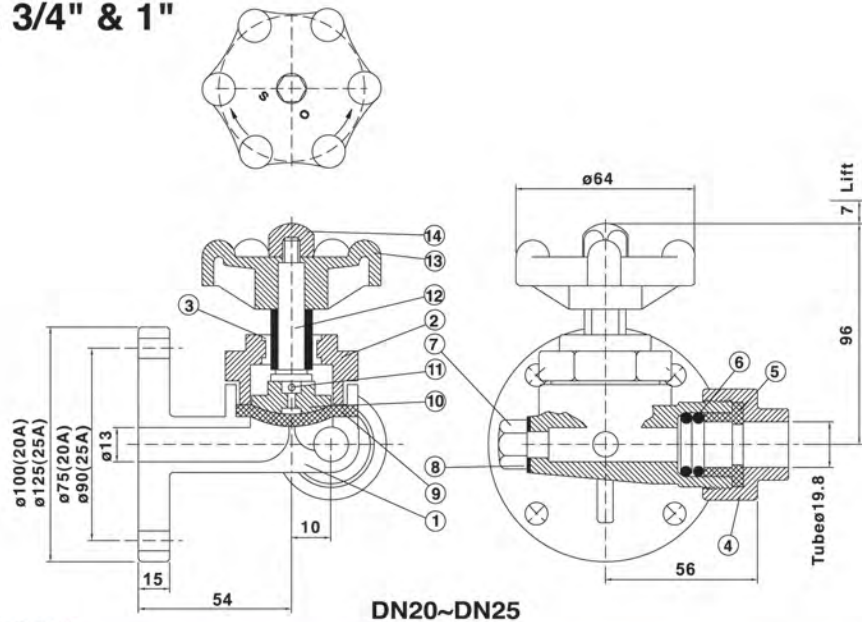
# GAUGE VALVE



**EG Series**

**水位計凡而**

**EG300**  
Size: 3/4" & 1"



DN20~DN25

**MATERIALS OF CONSTRUCTION**

No.	Parts	Pcs.	Materials	No.	Parts	Pcs.	Materials
1	Body	1	UPVC,PP,PPG,PVDF	8	Leaking Hole O'ring	1	EPDM,VITON
2	Bonnet	1	UPVC,PP,PPG,PVDF	9	Diaphragm	1	EPDM,VITON
3	Inserted Metal Of Bonnet	1	BRASS	10	Compressor	1	BRASS
4	Tube Holder	1	UPVC,PP,PPG,PVDF	11	Set Pin	2	SUS304
5	O'ring Holder	1	UPVC,PP,PPG,PVDF	12	Stem	1	BRASS
6	Tube O'ring	2	EPDM,VITON	13	Handle	1	ABS
7	Leaking Hole Holder	1	UPVC,PP,PVDF	14	Handle Holder	1	UPVC

Flange Size	Nominal Size	Outer diameter of tube
20A-3/4"	14 m/m	18 m/m
25A-1"	14 m/m	18 m/m

※ Standard dimensions based on PVC material